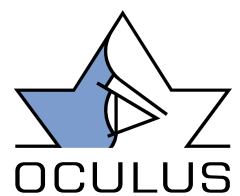
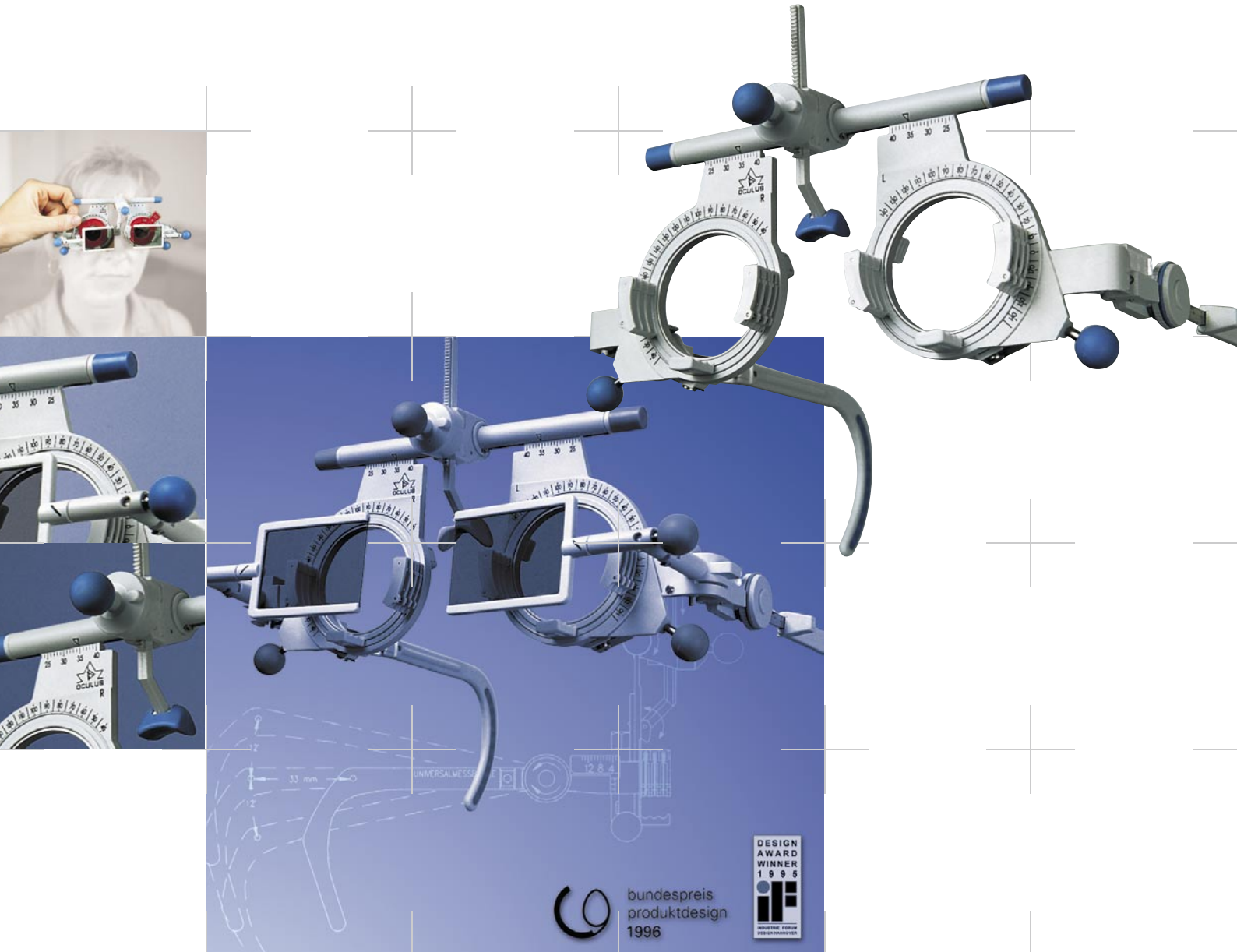
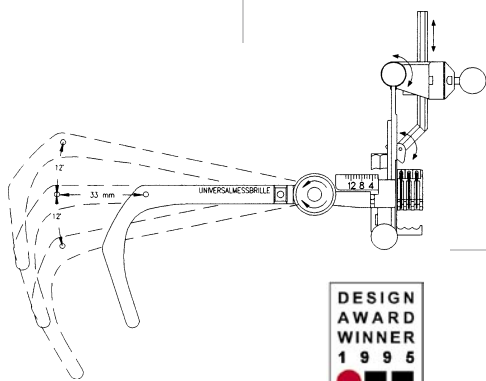


# OCULUS UB4



# OCULUS UB4



Oculus is certified  
by TÜV according to  
DIN EN ISO 13485:2003/  
DIN EN ISO 9001:2000



## Function

- Space for 10 trial lenses
- PD-range 46–82 mm
- Adjustable angle and length of sides
- Adjustable vertical angle and height of nosepiece
- Smooth axis adjustment
- Vertex distance scale

## Ergonomics

- Easy insertion and removal of lenses
- Self-braking mechanism for bridge adjustment
- User-friendly operating elements in a "soft design"

## Comfort

- Operating elements removed from the immediate vicinity of patient's face
- Minimal pressure due to optimal weight distribution
- Closed side extension design prevents the trapping of hair

## Material mix

- Intelligent material combinations minimize the need for lubrication
- Non-allergenic materials

## Styling

- Attractive design increases the patient's acceptance
- iF-award

## System

- Compatible with DIN- and BSI-trial lenses
- Polarizing filters with height adjustment for distance and near examination (option)

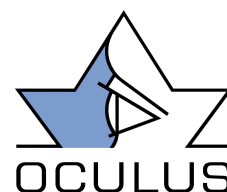
CE According to Medical Device Directive 93/42/EEC

[www.oculus.de](http://www.oculus.de)

US Office Oculus Inc.  
P.O. Box 1007 • 18902 NE 150<sup>th</sup> Street  
Woodinville • WA 98072-1007  
Tel. ++1-425-867-1800  
Toll free 1-888-284-8004  
Fax ++1-425-867-1881  
[www.oculususa.com](http://www.oculususa.com)

OCULUS  
Optikgeräte GmbH  
Postfach • D-35549 Wetzlar  
e-mail: [export@oculus.de](mailto:export@oculus.de) Tel. ++49-641-2005-0  
Fax ++49-641-2005-295

OCULUS Vertriebsges.mbh  
A-7501 Spitzzicken 77  
e-mail: [office@oculus.at](mailto:office@oculus.at) Tel. ++43-3352-338-67  
Fax ++43-3352-338-68



We focus on progress